



# Haozhiseng Audio

Professional Audio Components

# HA-18ND127

## 18 inch subwoofer

### FEATURES

- Carbon Fiber Cone
- 5 in Sandwich Voice Coil
- Double Silicone Spider Design
- Neodymium Magnet
- Advanced Cooling System

### SPECIFICATION

Nominal Diameter	460mm (18in)
Nominal Power (AES) <sup>1</sup>	1600W
Program Power <sup>2</sup>	3200W
Sensitivity (1W/1m) <sup>3</sup>	97dB
Voice Coil Diameter	127mm (5in)
Magnet Material	Neodymium
Nominal Impedance	8Ω
Frequency Range	40 - 1000Hz

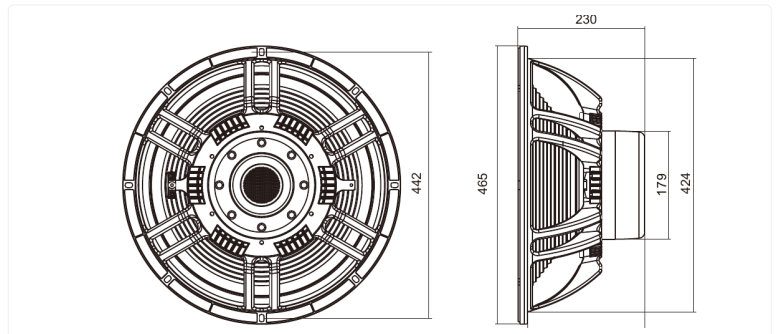
### THIELE & SMALL PARAMETERS

Fs	37.2Hz
Qes	0.3714
Qts	0.3510
Qms	6.4065
Re	4.8Ω
Sd	1257cm <sup>2</sup>
Vas	166.2L
B×L	27.08Tm
Mms	242.8g
Le (1kHz)	1.85mH
Xmax (lin.) <sup>4</sup>	±9.5mm

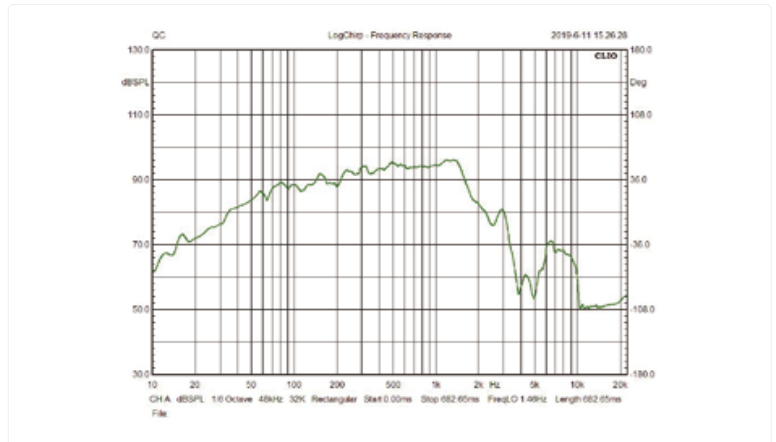
### MOUNTING INFORMATION

Overall Diameter	465mm
Mounting Holes Diameter	7mm
Bolt Circle Diameter	442-447mm
Baffle Cutout	424mm
Overall Depth	230mm
Net Weight	13.9kg

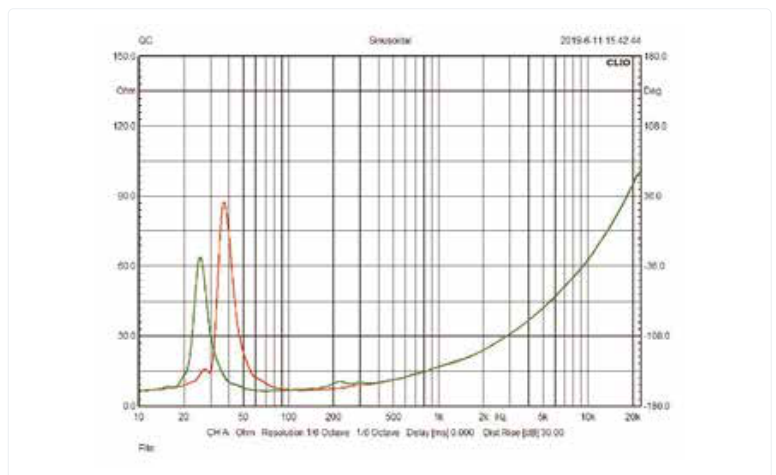
- Notes:**
- 1) 2 hours test with pink noise (6dB crest) between Fs and 10Fs. Power calculated on rated minimum impedance.
  - 2) Program Power is defined as 3dB greater than the AES Power.
  - 3) RMS Voltage set to 2.83V at nominal impedance.
  - 4) Xmax is defined as (Hc - Hg)/2.



Dimensions and mounting drawing



Frequency response measured in quasi-infinite-baffle



Impedance for 8Ω driver

